

Graze In-Grade Enclosure Installation

Included in Box:

- 3550.24 Graze In-Grade Trough, 24"/61cm, **OR**
- 3550.48 Graze In-Grade Trough, 48"/122cm, **OR**
- 3550.96 Graze In-Grade Trough, 96"/244cm

Including Trough, Glass, Trim and all hardware needed

You will also Need:

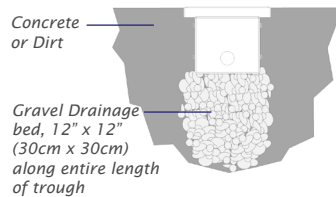
- 3550.EC End Cap — one for each end of the trough run
- 3550.JN Joiner — one between each trough section
- 3550.MCK Pair of mounts — one for each Graze fixture
- Gravel — lots of it!

PLANNING

Tempest In-Grade troughs are flow-through enclosures. That means they allow some air circulation to prevent overheating and ensure long fixture life. It also means that water may flow down the sides of the enclosure, around the light fixture, and out through drain holes in the base.

IMPORTANT:

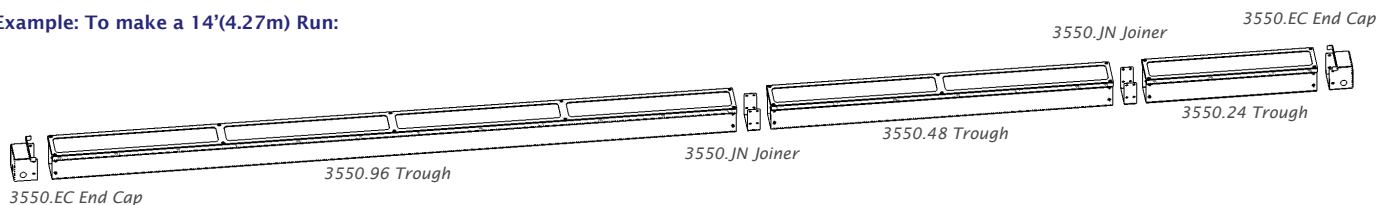
These enclosures MUST be installed on a bed of gravel, and in areas of good drainage, to prevent flooding. Tempest Lighting Inc. will accept no liability for damage consequent to installation with inadequate drainage, or in terrain liable to flooding.



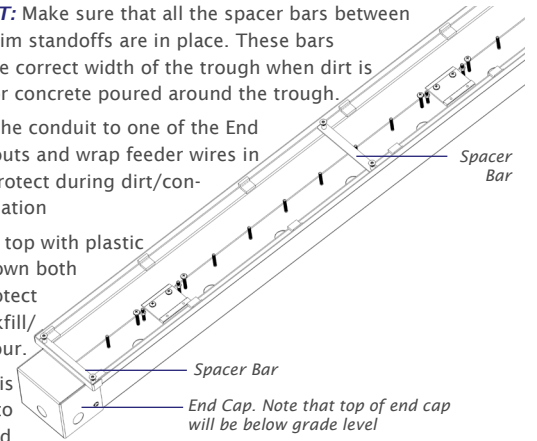
PREPARATION

1. Excavate a trench about 18"/45cm deep and 12"/30cm wide and fill with gravel up to about 5"/12cm from final grade level.
2. Install a suitable electrical conduit to one end of the trench, in accordance with local electrical codes, and pull suitable feeder wires, according to the instructions provided by Philips Color Kinetics for installation of the Graze light fixtures.
3. Unpack the Troughs and remove the stainless steel top trim and glass panels, using the Torx/pin screwdriver bit provided. Set these parts aside carefully for installation later.
4. Assemble the complete run of troughs, end caps and joiners. See the illustration below as a guide.
5. Place the complete trough run back in the trench, on top of the gravel, and bed into the gravel, adjusting carefully to grade height. The top of the trough must be level and at the height of the finished dirt or concrete floor.

Example: To make a 14'(4.27m) Run:

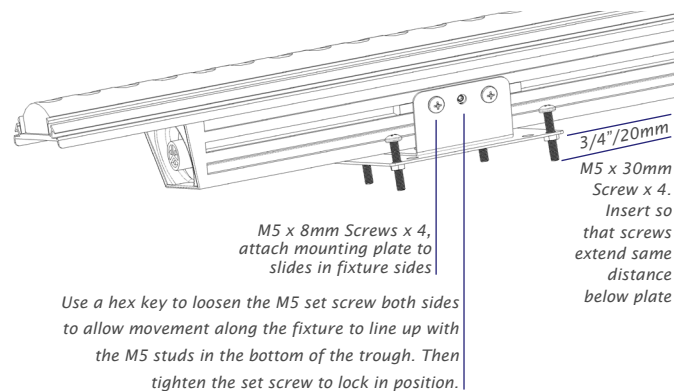


6. **IMPORTANT:** Make sure that all the spacer bars between the cover trim standoffs are in place. These bars maintain the correct width of the trough when dirt is backfilled or concrete poured around the trough.
7. Terminate the conduit to one of the End Cap knockouts and wrap feeder wires in plastic to protect during dirt/concrete installation.
8. Cover open top with plastic and tape down both sides to protect during backfill/concrete pour.
9. The trench is now ready to be backfilled or concrete poured.



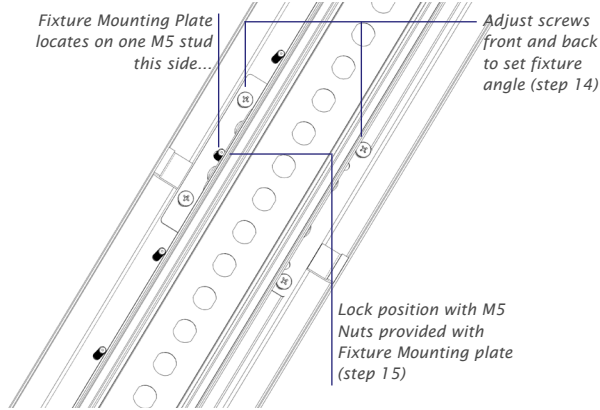
TRIMMING OUT

10. Remove the protective plastic from the trough.
11. Assemble the mounting plates (3550.MCK) on the Graze fixtures. Loosen the set screws in the mounting slides, so they can slide in the luminaire's side extrusion.



12. Align the row of Graze fixtures alongside the trough, connect leader cables and test.

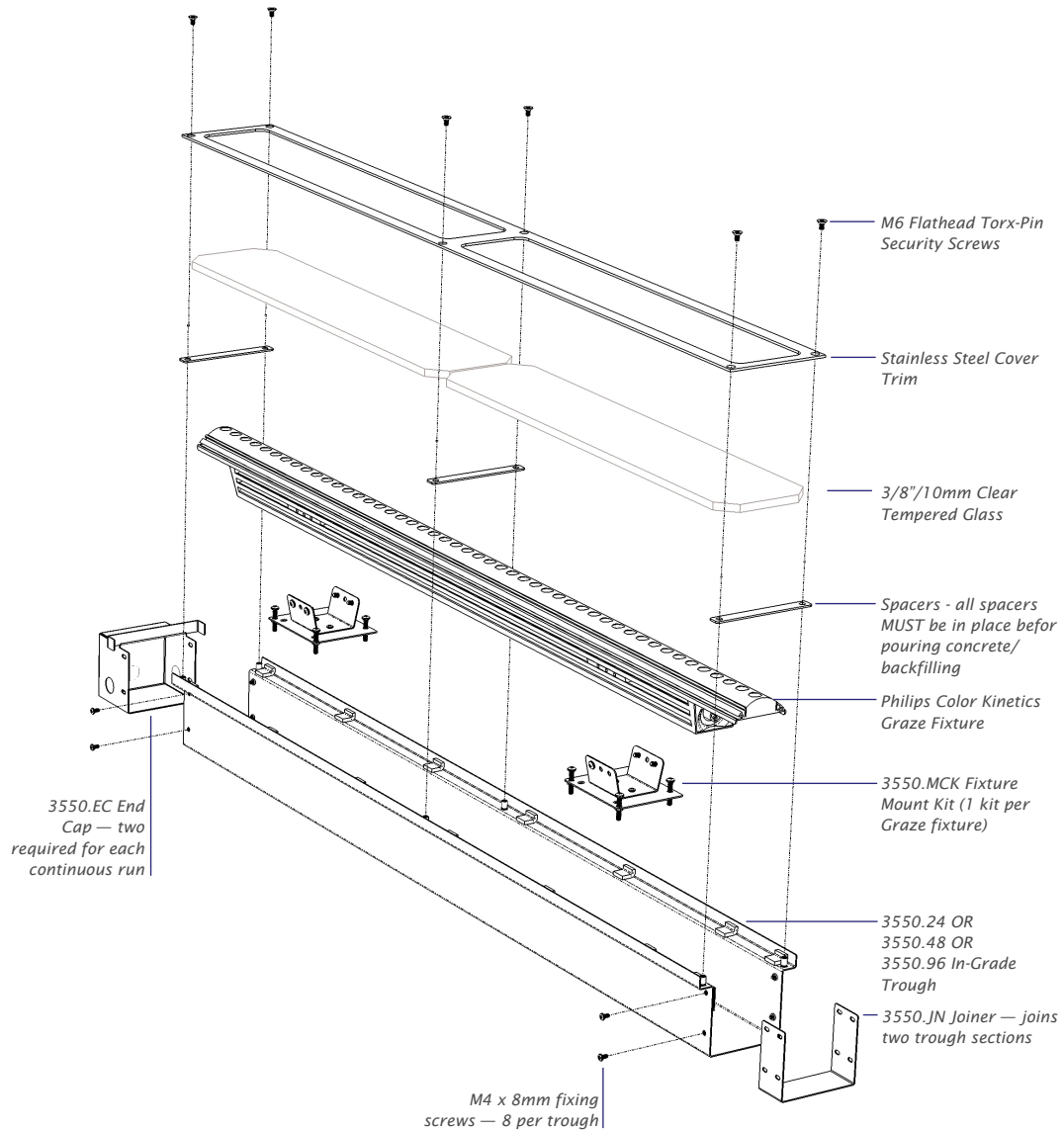
13. Carefully lower the fixtures into the trough, aligning the mounting plates with the pattern of M5 studs in the trough base.
14. Align the fixtures as needed.
15. Lock in place as needed with the M5 nuts provided (optional).



16. Replace the glass panels and check that they are seated on the rubber pads.
17. Replace the stainless steel trim, using the Torx Pin screws and screw-driver bit provided.

Note: Tempest in-grade enclosures have 3/8"/10mm tempered glass windows and may be safely walked on. They are NOT rated for drive-over vehicle use.

PARTS EXPLOSION



In the interest of continuous product improvement, specifications are subject to change without notice

Tempest Lighting, Inc

13110 Saticoy Street, Unit C, North Hollywood, CA 91605, USA
 www.tempest.org info@tempestlighting.com
 t: +1 888 649 6743 f: +1 818 982 5510

