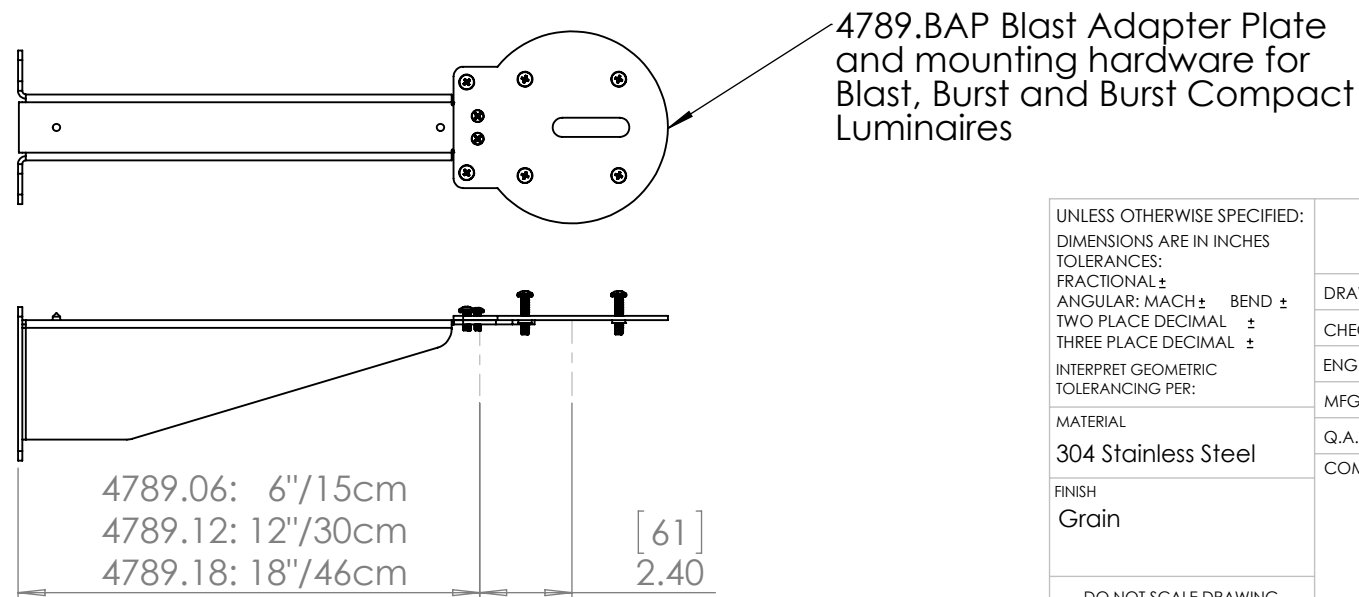


IMPORTANT

Custom Lengths - use part # 4789.XX where XX is the length in inches.

Arms may be mounted top up (as shown) or inverted.

INSTALLER IS RESPONSIBLE FOR INSTALLATION IN FULL COMPLIANCE WITH LOCAL BUILDING CODES AND SAFETY NORMS. Tempest Lighting, Inc. will accept no liability for faulty or inadequate installation practice or materials.



UNLESS OTHERWISE SPECIFIED:
DIMENSIONS ARE IN INCHES
TOLERANCES:
FRACTIONAL ±
ANGULAR: MACH ± BEND ±
TWO PLACE DECIMAL ±
THREE PLACE DECIMAL ±
INTERPRET GEOMETRIC TOLERANCING PER:

MATERIAL
304 Stainless Steel

FINISH
Grain

DO NOT SCALE DRAWING

	NAME	DATE
DRAWN	TB	11/13/2015
CHECKED		
ENG APPR.		
MFG APPR.		
Q.A.		
COMMENTS:		

TEMPEST
lighting inc.

TITLE:
Universal Wallmount Arm

SIZE B	DWG. NO. 4789.XX	REV 01
------------------	---------------------	-----------

SCALE: 1:5 SHEET 1 OF 1