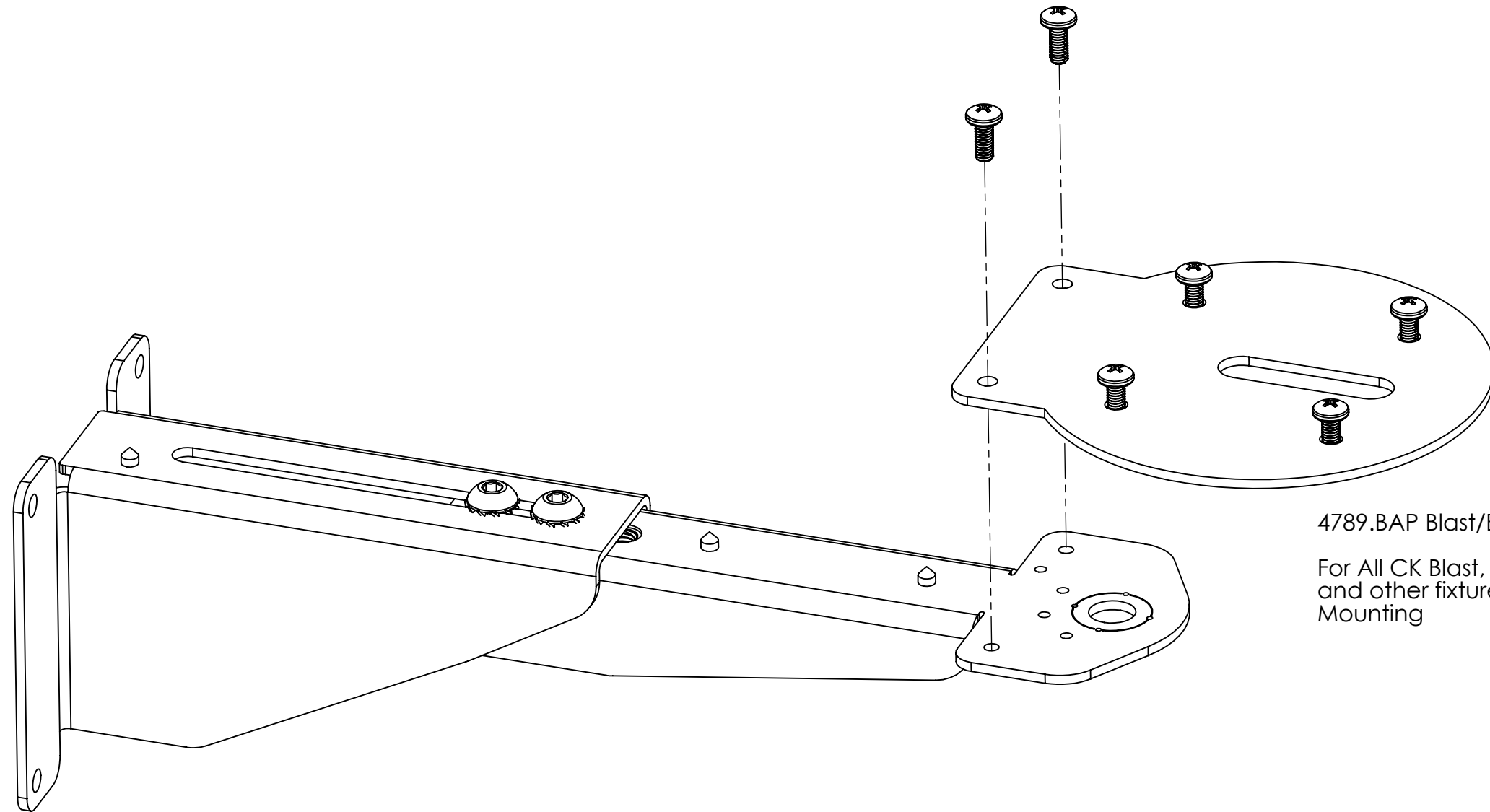


8 7 6 5 4 3 2 1

D
C
B
A



4789.BAP Blast/Burst Adapter Plate
For All CK Blast, Burst, Compact Burst and other fixtures with US Round Box Mounting

4789.T.0812 Universal Trombone Arm, 8-12in (19-30cm)
4789.T.1220 Universal Trombone Arm, 12-20in (30-51cm)
For all CK Graze, Vaya Linear LP/MP, Vaya Wash and Landscape fixtures with 1/2" NPT Thread

UNLESS OTHERWISE SPECIFIED:
DIMENSIONS ARE IN INCHES
TOLERANCES:
FRACTIONAL ±
ANGULAR: MACH ± BEND ±
TWO PLACE DECIMAL ±
THREE PLACE DECIMAL ±
INTERPRET GEOMETRIC TOLERANCING PER:
MATERIAL
12 ga 304 SS
FINISH
Clean
DO NOT SCALE DRAWING

	NAME	DATE
DRAWN	TB	11/25/2015
CHECKED		
ENG APPR.		
MFG APPR.		
Q.A.		
COMMENTS:		



TITLE:
Universal Trombone Arm,
7.5-12in [19-30cm]

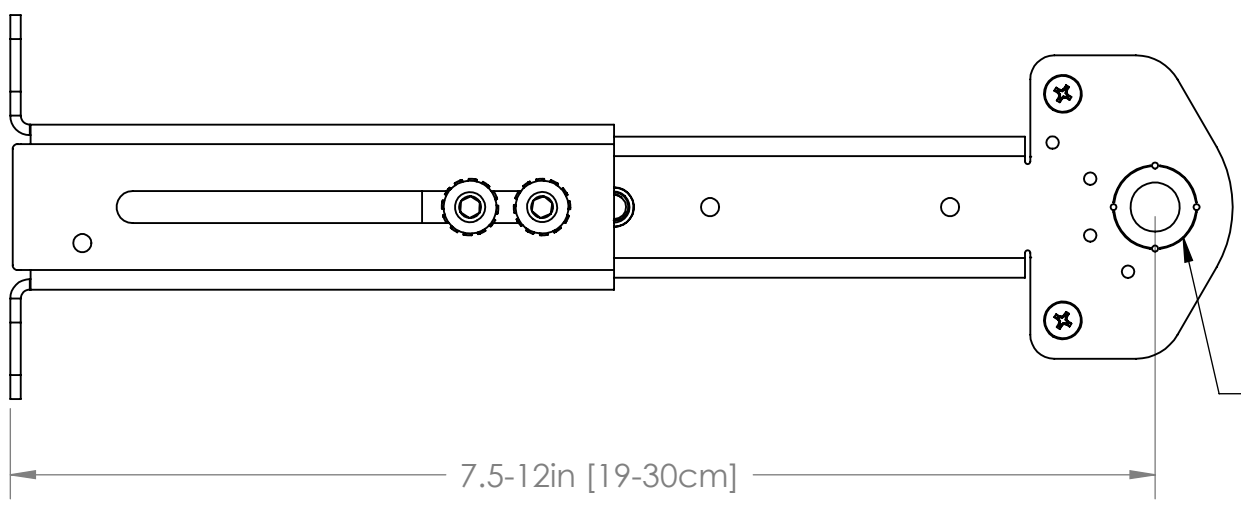
SIZE	DWG. NO.	REV
B	4789.T.0812	01

SCALE: 1:2 SHEET 1 OF 3

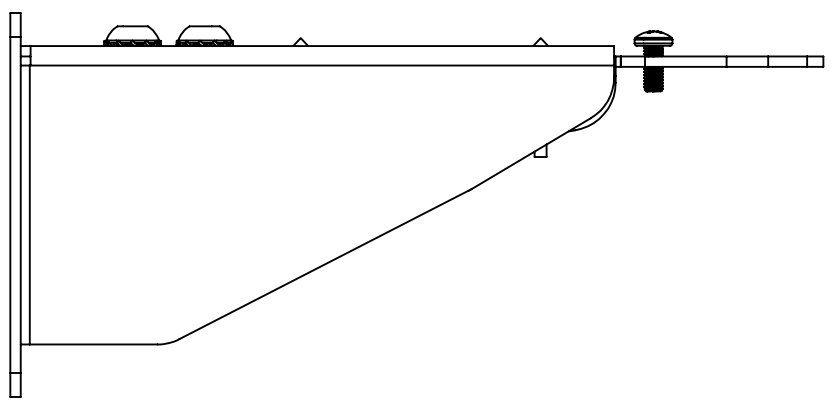
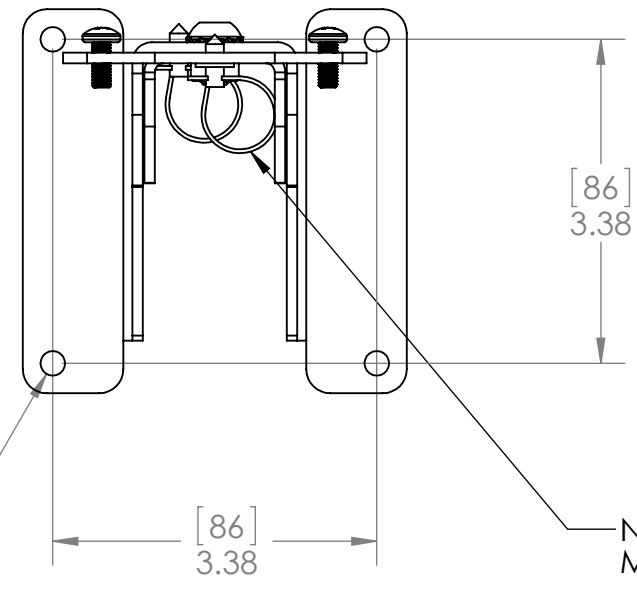
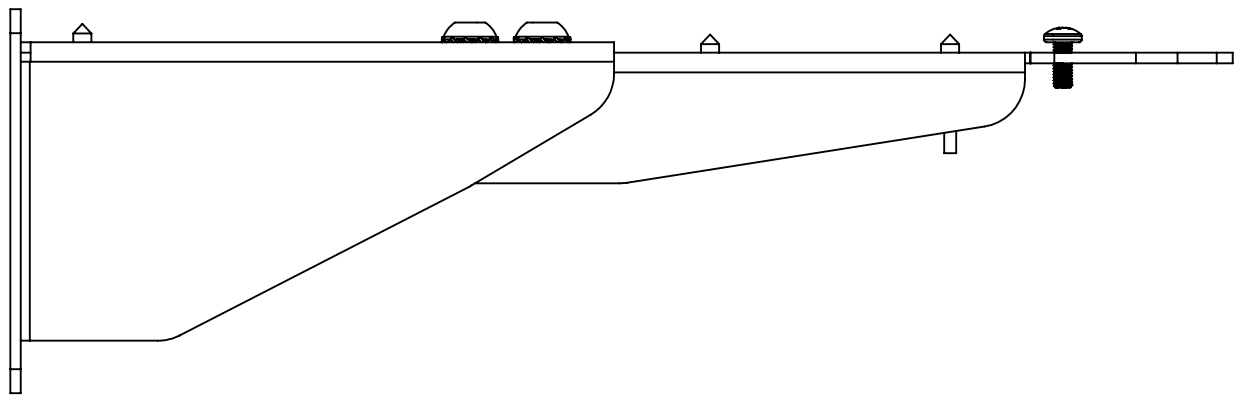
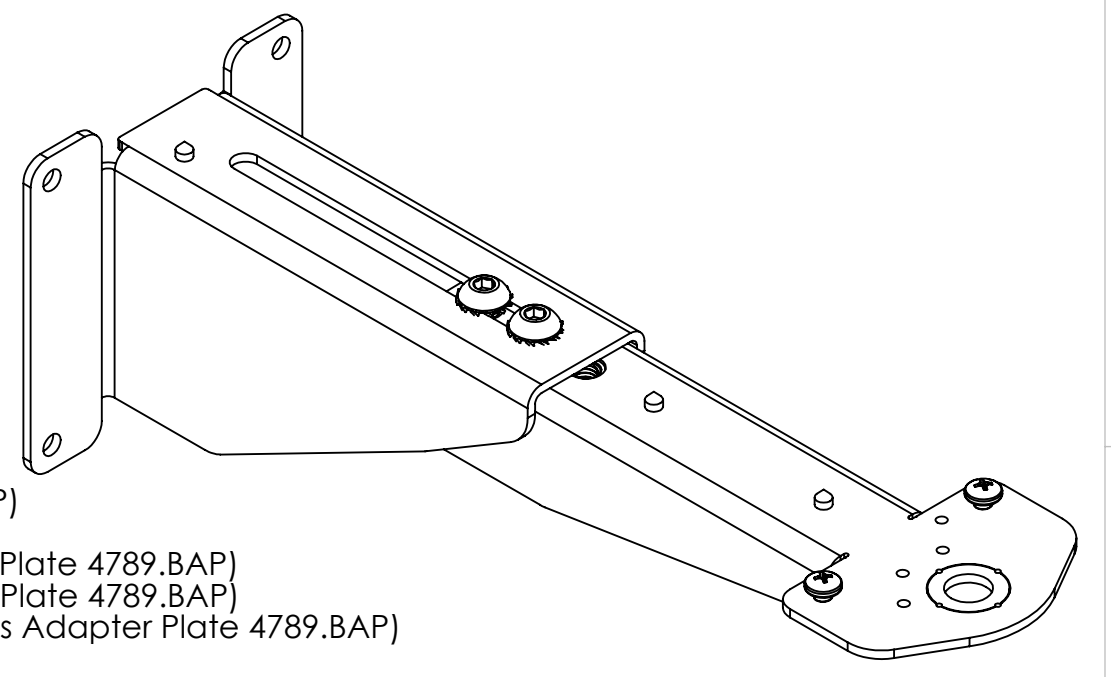
8 7 6 5 4 3 2 1


8 7 6 5 4 3 2 1

D
C
B
A



Mounting options for:
 Graze Linear
 Vaya Linear (LP and MP)
 Vaya Wash
 Blast (requires Adapter Plate 4789.BAP)
 Burst (requires Adapter Plate 4789.BAP)
 Burst Compact (requires Adapter Plate 4789.BAP)

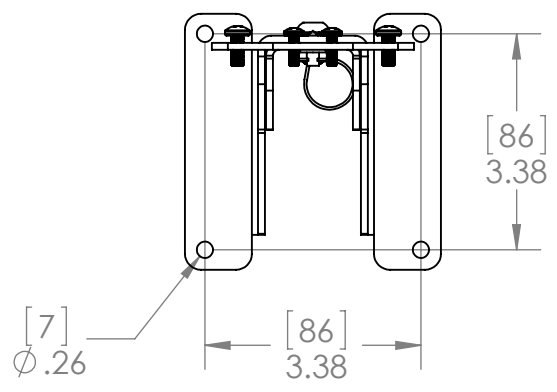
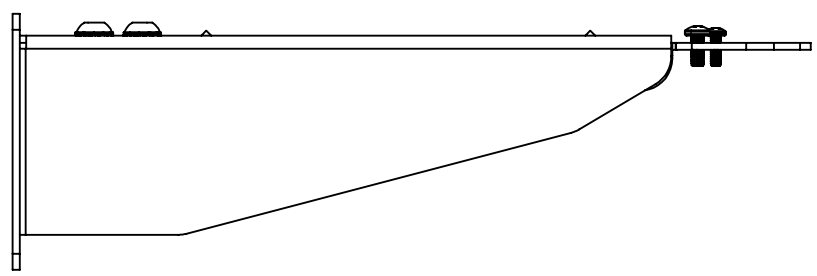
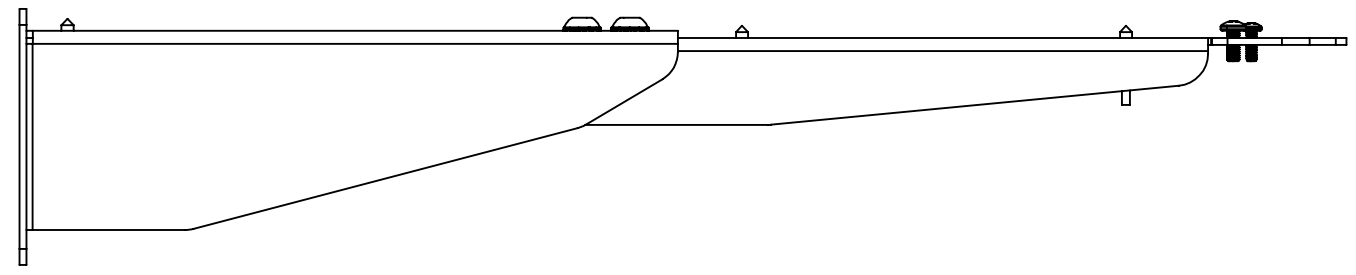
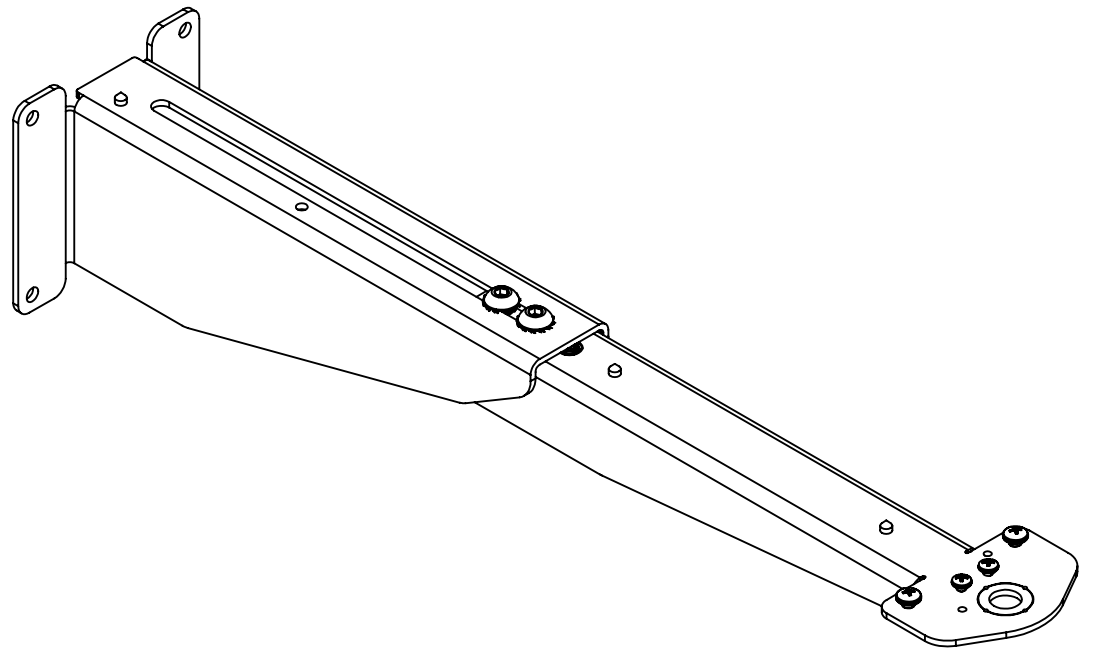
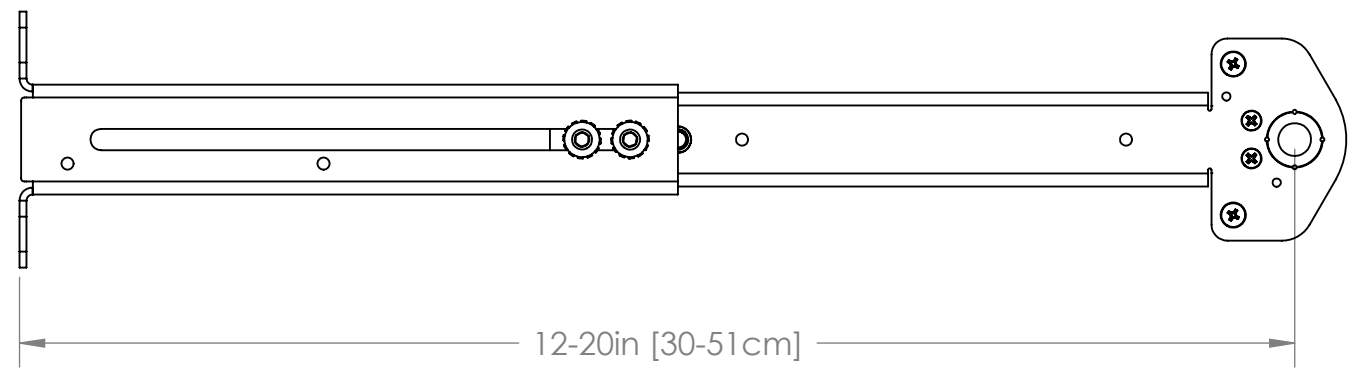


		UNLESS OTHERWISE SPECIFIED: DIMENSIONS ARE IN INCHES TOLERANCES: FRACTIONAL $\pm 1/16$ ANGULAR: MACH $\pm 1^\circ$ BEND $\pm 2^\circ$ TWO PLACE DECIMAL $\pm .01$ THREE PLACE DECIMAL $\pm .005$ INTERPRET GEOMETRIC TOLERANCING PER ANSI Y14.5M	NAME	DATE	
			DRAWN	TB	
		MATERIAL 12 ga 304 SS	CHECKED		TITLE: Universal Trombone Arm, 7.5-12in [19-30cm]
		FINISH Clean	ENG APPR.		SIZE DWG. NO. REV B 4789.T.0812 01
NEXT ASSY	USED ON		MFG APPR.		SCALE: 1:2 SHEET 2 OF 3
APPLICATION		DO NOT SCALE DRAWING	Q.A.		
			COMMENTS:		

PROPRIETARY AND CONFIDENTIAL: THE INFORMATION CONTAINED IN THIS DRAWING IS THE SOLE PROPERTY OF TEMPEST LIGHTING INC. ANY REPRODUCTION IN PART OR AS A WHOLE WITHOUT THE WRITTEN PERMISSION OF TEMPEST LIGHTING IS PROHIBITED.

8 7 6 5 4 3 2 1

8 7 6 5 4 3 2 1



UNLESS OTHERWISE SPECIFIED:
 DIMENSIONS ARE IN INCHES
 TOLERANCES:
 FRACTIONAL ±
 ANGULAR: MACH ± BEND ±
 TWO PLACE DECIMAL ±
 THREE PLACE DECIMAL ±
 INTERPRET GEOMETRIC TOLERANCING PER:
 MATERIAL
 12 ga 304 SS
 FINISH
 Clean
 DO NOT SCALE DRAWING

	NAME	DATE
DRAWN	TB	11/25/2015
CHECKED		
ENG APPR.		
MFG APPR.		
Q.A.		
COMMENTS:		



TITLE:
 Universal Trombone Arm,
 12-20in [30-51 cm]

SIZE	DWG. NO.	REV
B	4789.T.1220	01

SCALE: 1:2 SHEET 3 OF 3

8 7 6 5 4 3 2 1

D
C
B
A

D
C
B
A