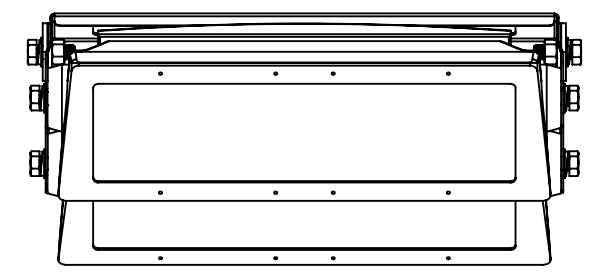


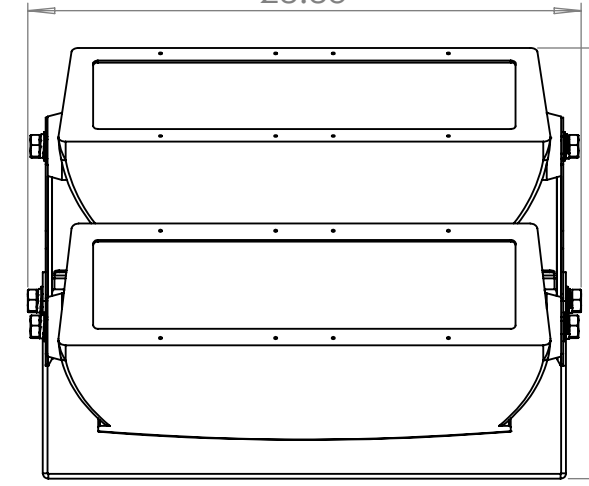
8 7 6 5 4 3 2 1

D
C
B
A

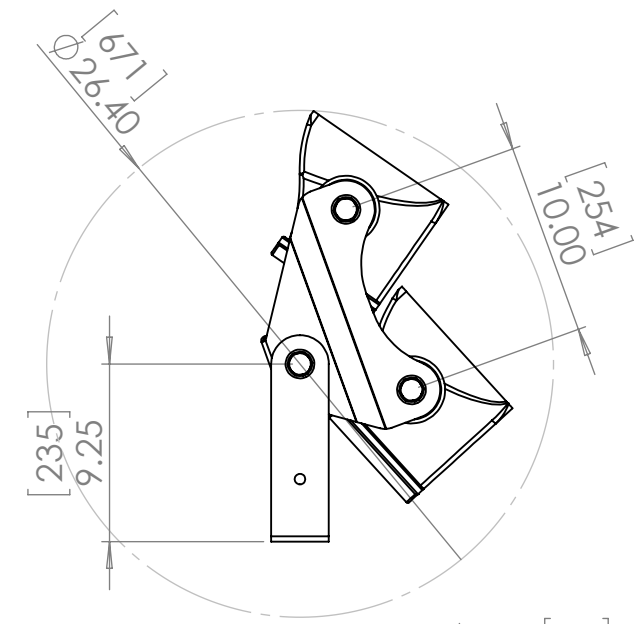
D
C
B
A



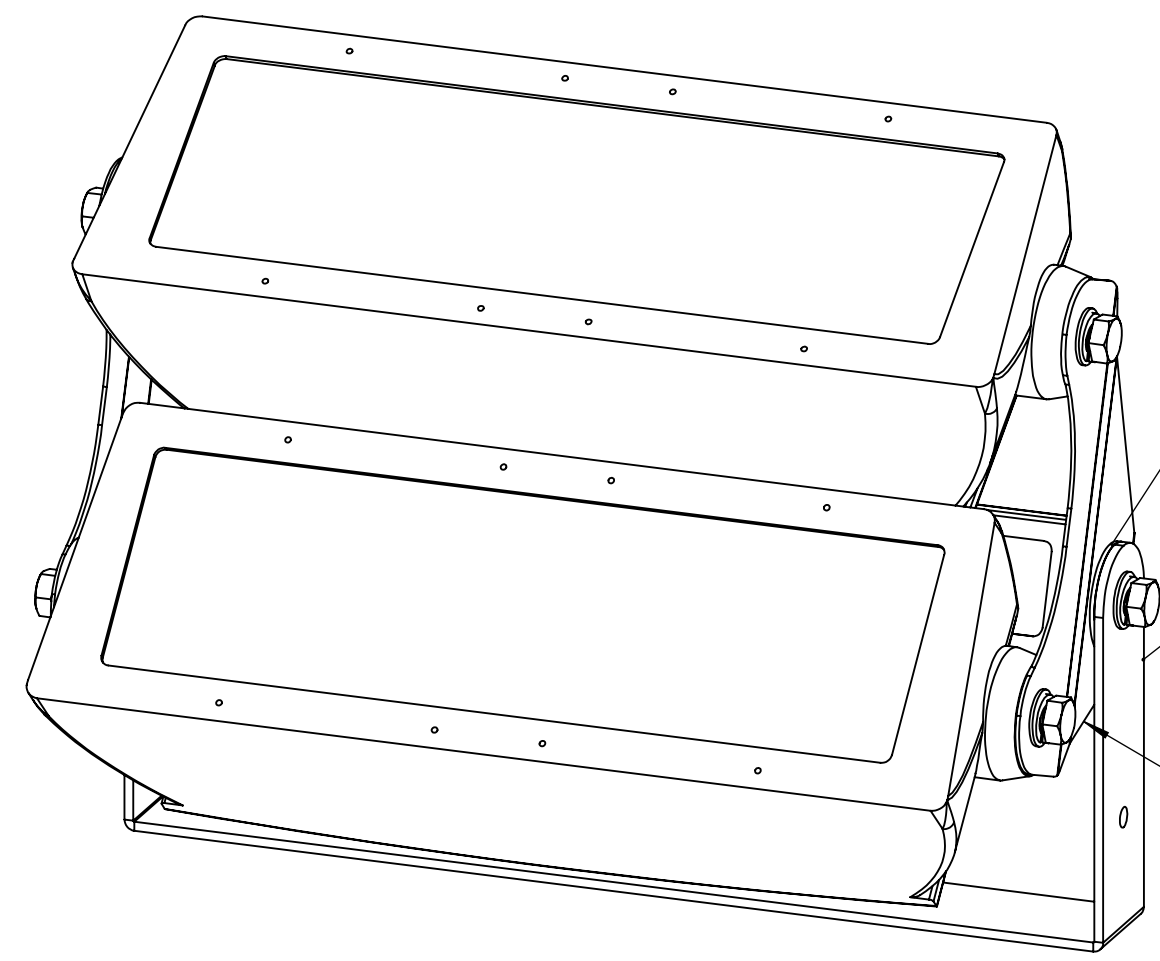
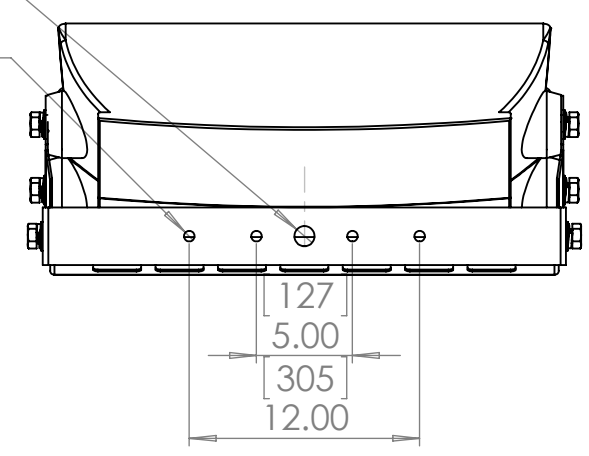
[732]
28.83



[570]
22.43



Ø 1.05 [27] THRU
Ø 0.55 [14] THRU X 4




Heavy Duty Friction Washer Pad Both Sides

Original Reach Compact Yoke and mounting Hardware

Stacker Bracket with all mounting hardware

UNLESS OTHERWISE SPECIFIED:
DIMENSIONS ARE IN INCHES
TOLERANCES:
FRACTIONAL ±
ANGULAR: MACH ± BEND ±
TWO PLACE DECIMAL ±
THREE PLACE DECIMAL ±
INTERPRET GEOMETRIC TOLERANCING PER:
MATERIAL
12 ga CRS
FINISH
Zinc Plate & Powder Coat Black
DO NOT SCALE DRAWING

	NAME	DATE
DRAWN	TB	9/14/2015
CHECKED		
ENG APPR.		
MFG APPR.		
Q.A.		
COMMENTS:		



TEMPEST
lighting inc.

TITLE:
Reach Compact Stacker Kit

SIZE B	DWG. NO. 4741.10	REV 02
------------------	----------------------------	------------------

SCALE: 1:10 SHEET 1 OF 1

8 7 6 5 4 3 2 1