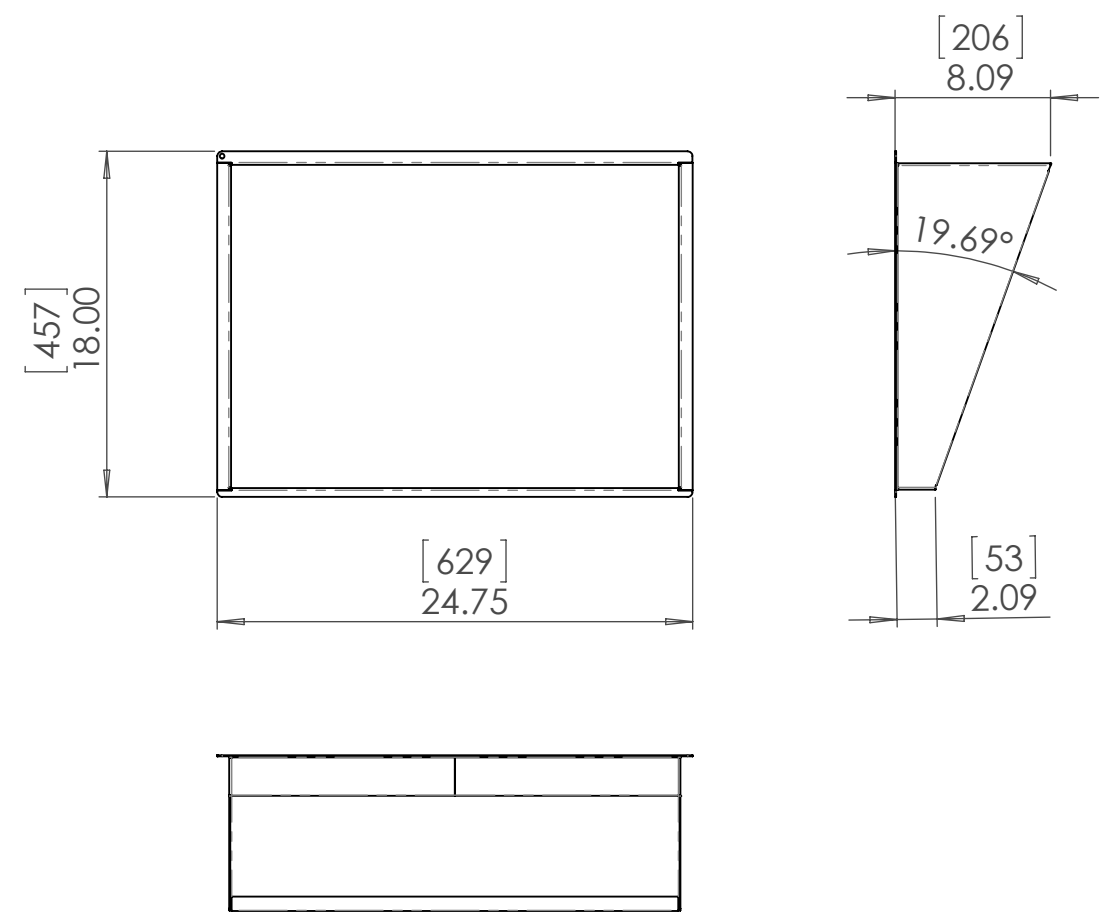
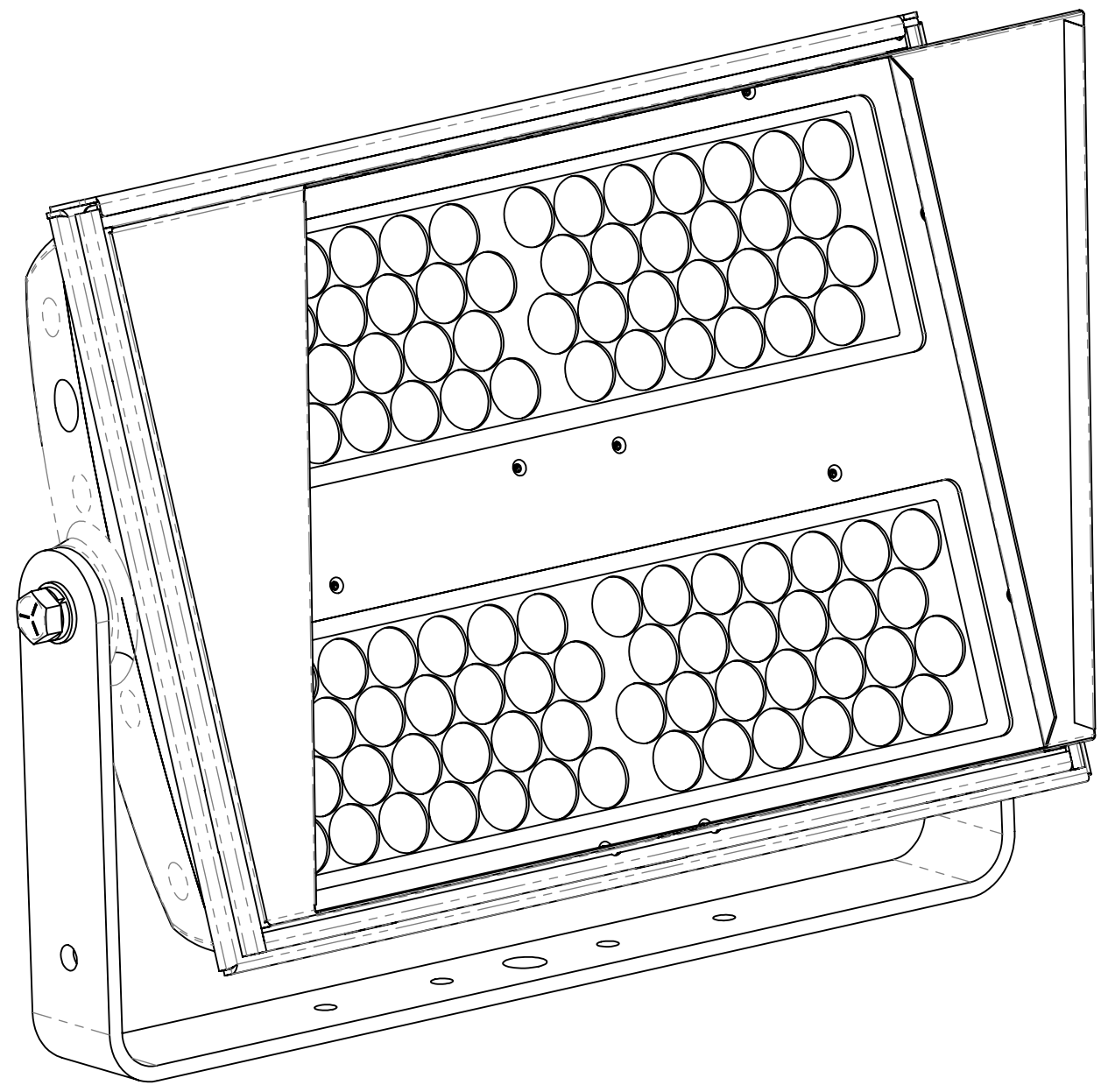


8 7 6 5 4 3 2 1


D
C
B
A



IMPORTANT: Accessory Holder 4700.AR is required to mount this accessory on the Reach Luminaire

UNLESS OTHERWISE SPECIFIED:
 DIMENSIONS ARE IN INCHES
 TOLERANCES:
 FRACTIONAL ±
 ANGULAR: MACH ± BEND ±
 TWO PLACE DECIMAL ±
 THREE PLACE DECIMAL ±
 INTERPRET GEOMETRIC TOLERANCING PER:
 MATERIAL
 22 ga EGS
 FINISH
 Powder Coat Flat Black
 DO NOT SCALE DRAWING

| | NAME | DATE |
|-----------|------|------------|
| DRAWN | TB | 12/17/2013 |
| CHECKED | | |
| ENG APPR. | | |
| MFG APPR. | | |
| Q.A. | | |
| COMMENTS: | | |



TEMPEST
lighting inc.

TITLE:
Reach Half Hat

| | | |
|------------------|----------------------------|------------------|
| SIZE B | DWG. NO. 4720.HH | REV 03 |
|------------------|----------------------------|------------------|

SCALE: 1:10 SHEET 1 OF 1

8 7 6 5 4 3 2 1