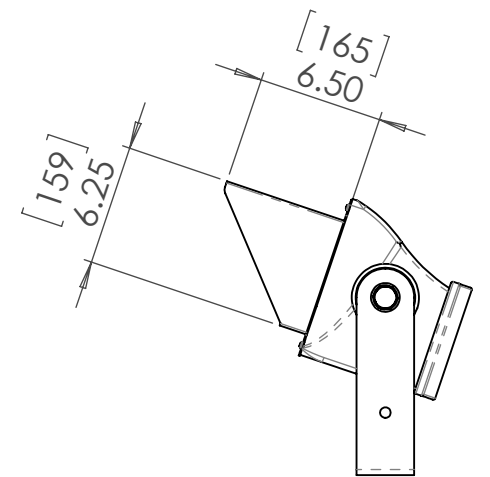
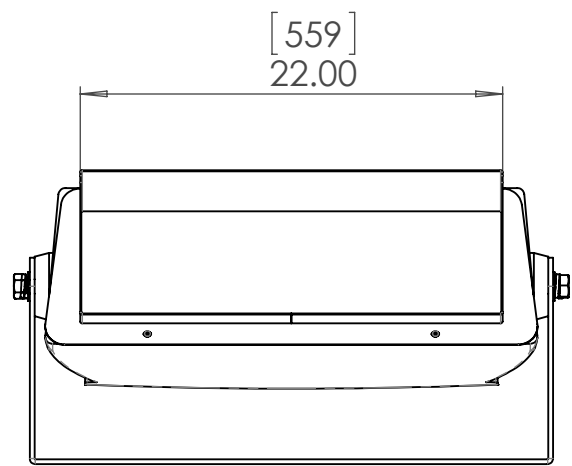
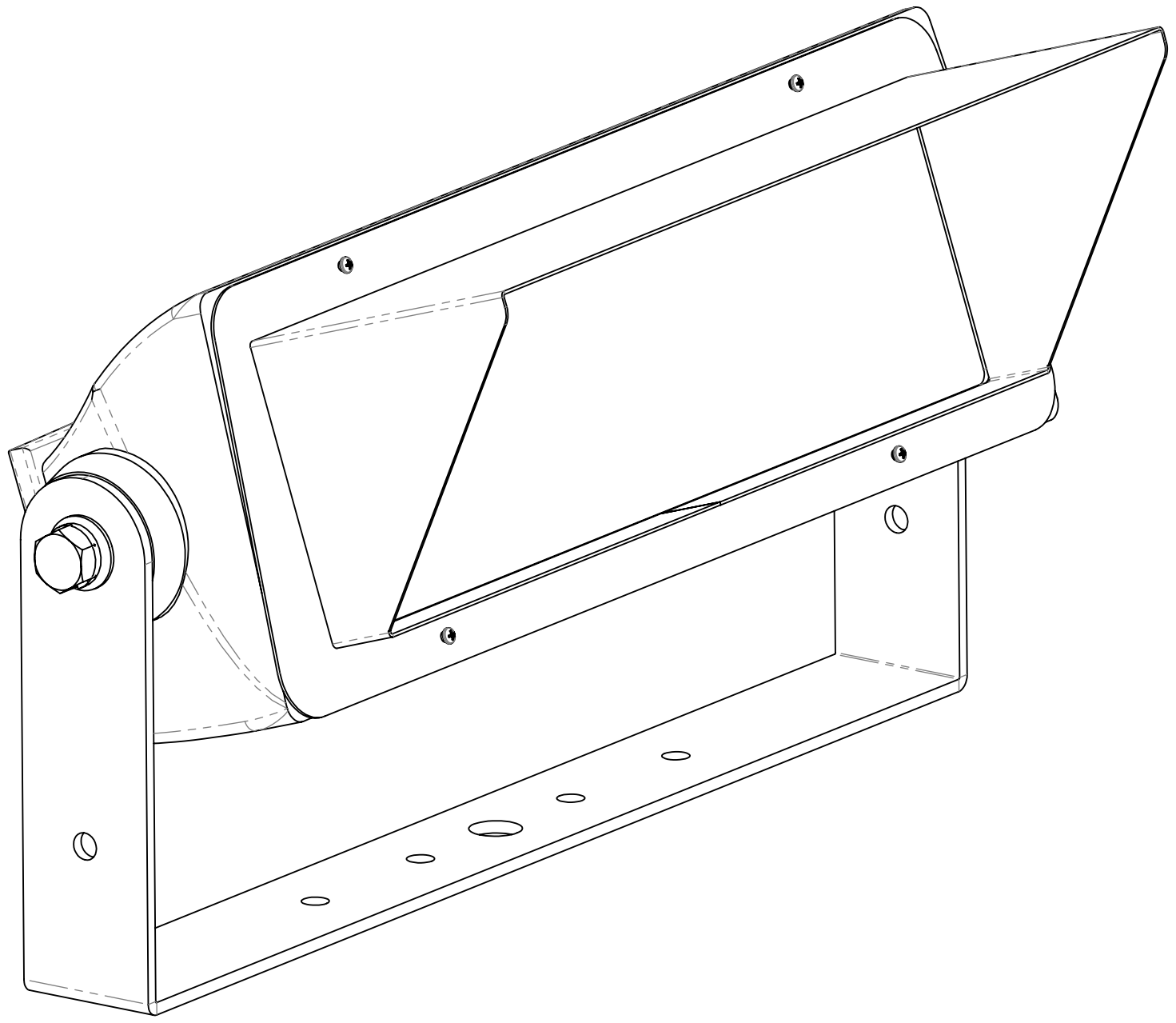


8 7 6 5 4 3 2 1


D
C
B
A

D
C
B
A



UNLESS OTHERWISE SPECIFIED:
 DIMENSIONS ARE IN INCHES
 TOLERANCES:
 FRACTIONAL ±
 ANGULAR: MACH ± BEND ±
 TWO PLACE DECIMAL ±
 THREE PLACE DECIMAL ±
 INTERPRET GEOMETRIC
 TOLERANCING PER:
 MATERIAL
 .050 EGS
 FINISH
 Powder Coat Flat
 Black
 DO NOT SCALE DRAWING

	NAME	DATE
DRAWN	TB	10/31/2013
CHECKED		
ENG APPR.		
MFG APPR.		
Q.A.		
COMMENTS:		



TEMPEST
lighting inc.

TITLE:
Reach Compact Angled
Glare Shield

SIZE	DWG. NO.	REV
B	4716.GA	01

SCALE: 1:5 SHEET 1 OF 1

8 7 6 5 4 3 2 1