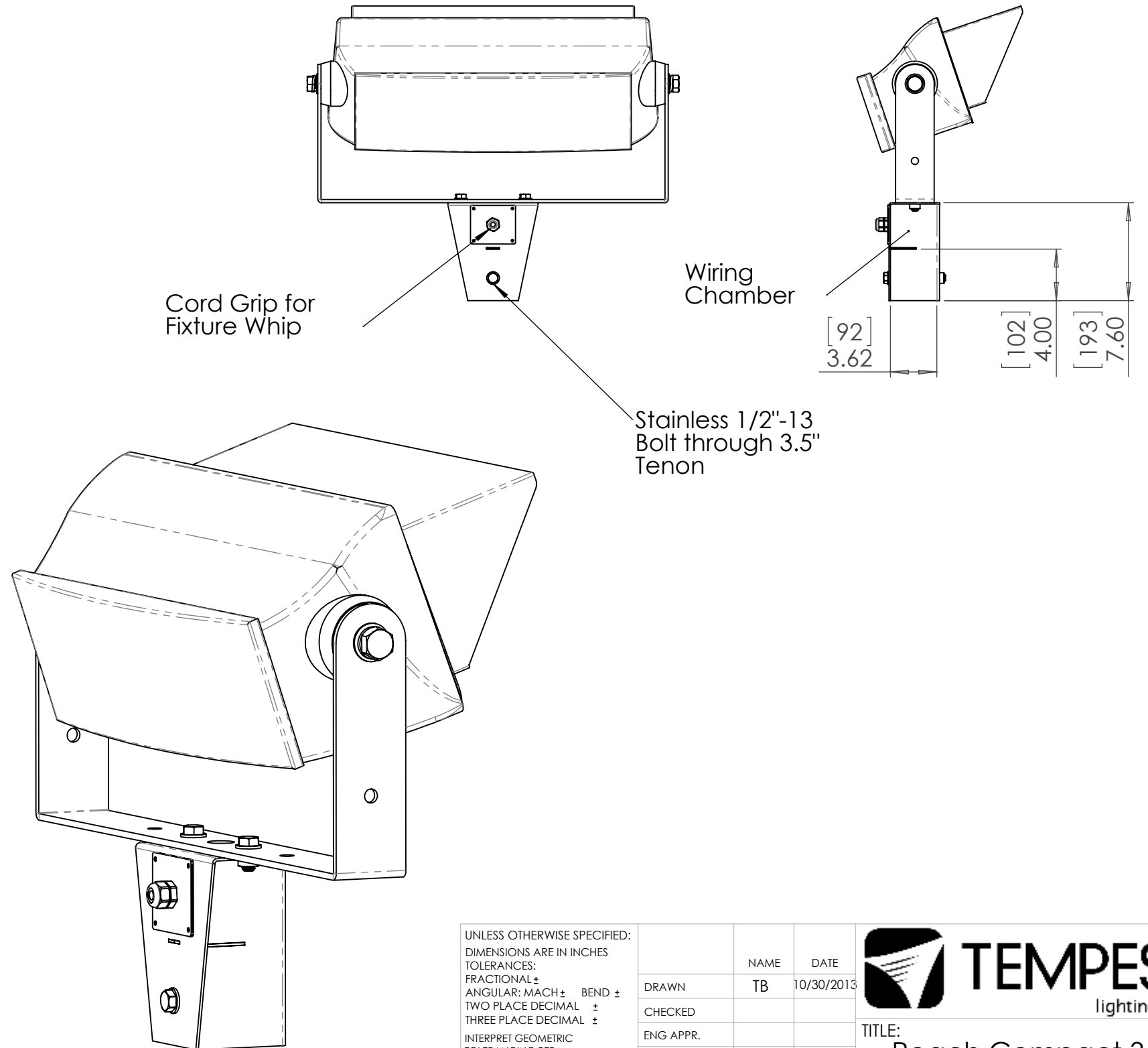
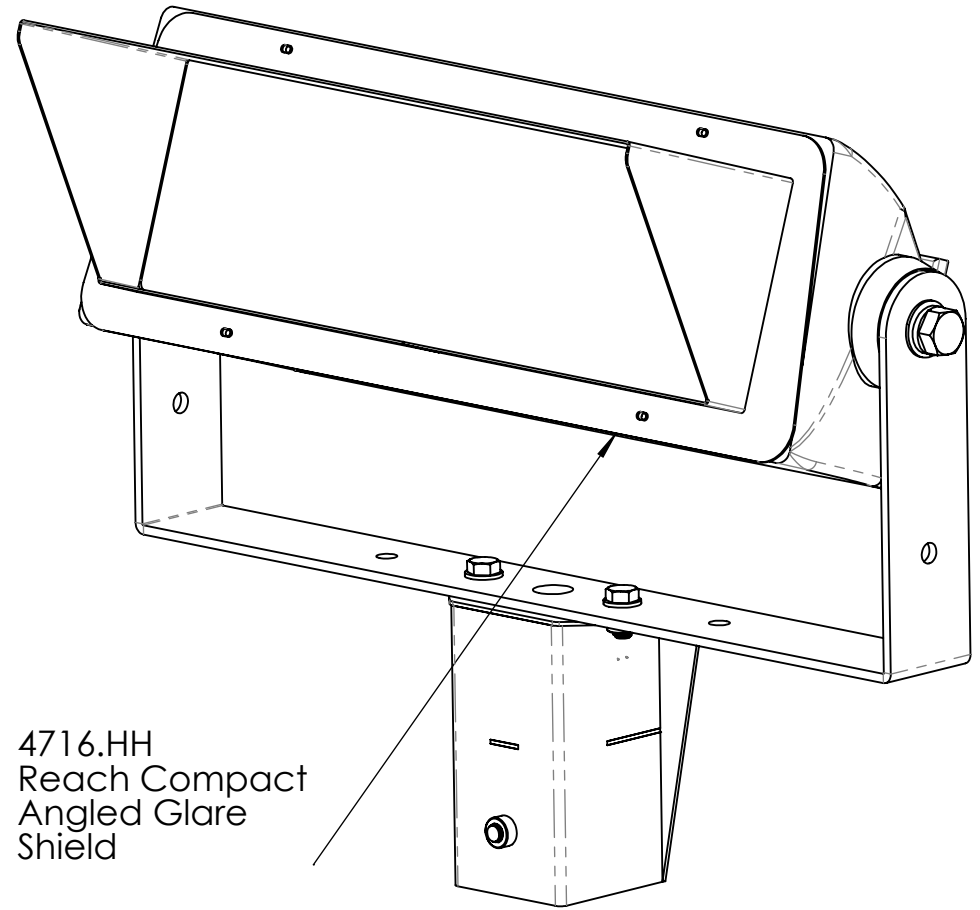


8 7 6 5 4 3 2 1


D  
C  
B  
A



D  
C  
B  
A

UNLESS OTHERWISE SPECIFIED:  
 DIMENSIONS ARE IN INCHES  
 TOLERANCES:  
 FRACTIONAL ±  
 ANGULAR: MACH ± BEND ±  
 TWO PLACE DECIMAL ±  
 THREE PLACE DECIMAL ±  
 INTERPRET GEOMETRIC TOLERANCING PER:  
 MATERIAL  
 12 ga CRS  
 FINISH  
 Zinc Plate and Powder Coat BK01 Black  
 DO NOT SCALE DRAWING

	NAME	DATE
DRAWN	TB	10/30/2013
CHECKED		
ENG APPR.		
MFG APPR.		
Q.A.		
COMMENTS:		



**TEMPEST**  
lighting inc.

TITLE:  
Reach Compact 3.5" Slipfitter

SIZE <b>B</b>	DWG. NO. 4716.SF3	REV 01
------------------	----------------------	-----------

SCALE: 1:10 SHEET 1 OF 1

8 7 6 5 4 3 2 1